

APHS - PRO

www.baykal.com.tr

Think Big, We Do.

PRESS BRAKE
technology



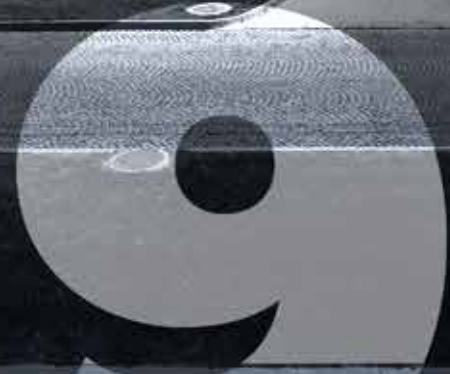
Baykal

“ THINK BIG, WE DO. ”

**READY 4.0
CHANGE**

Baykal

APHB 31120





From Past to *Future*

With a foundation history going back to early 1950s, Baykal today is placed as a leading manufacturer and global supplier of sheet metal working machinery specialising in the production of press brakes, shears, notchers, punching machines, laser cutting systems, plasma cutting machines and Vertical Machining Center.

For its manufacturing operations Baykal utilises three factories which together combine a production area of 60,000 square meters, making it one of Europe's largest facility for sheet metal working and fabricating machinery. The total workforce at Baykal is currently numbered at 650 employees and is composed of highly trained and qualified machine operators and assembly technicians supported by a staff of 50 engineers. All the machines offered by Baykal are designed, manufactured, assembled and finished at Baykal's purpose-built plants in a CAD environment with extensive use of CNC machining and modern workshop equipment.

Baykal Company is accredited for the ISO 9001 Certification issued by the German TÜV institution. Also, since 1995, Baykal has been building machines in conformity with the European CE regulations for safety, being the first Turkish machine-tool manufacturer certified eligible to bear the CE Mark on its products. In addition, all Baykal products are manufactured with the TSE and TSEK quality certificates issued by the Turkish Standards Institution.

Since the last 40 years Baykal has progressed to become a major exporter of sheet metal working machines to the world markets with customers located in all the machine-tool consuming countries of the global geography from Americas to Australia. Baykal is currently represented in over 100 countries worldwide through appointed dealers. In the base market of Turkey, Baykal sheet metal working machines have traditionally commanded a leading market share thanks to the company's pioneering role in the development of Turkey's machine industry and its never-lessening emphasis on quality and service. Here, with a long engineering experience behind, Baykal wishes to present itself as a quality-conscious, professional machine-building company serving the industry.

APHS

01

ACCURATE

It's very fast, accurate and repeatable thanks to design and hydraulic system.

02

AFFORDABLE

APHS Series combined with high quality and well-prices.

03

FLEXIBLE

Large range of lengths and tonnages are available.





04

EFFICIENT

APHS series hydraulic press brakes has great efficiency and productivity.

05

QUICK INSTALLATION

Fast and easy installation allow time saving.

06

SAFE

High safety for operators
Suitable for CE Standards

Hydraulic technology: Proven itself

Over the years, manufacturers have been developing different solutions to improve the performance of their products. Through tools, functionalities and technological innovations sheet metal press brakes have evolved starting from mechanical presses to hybrid and electric cnc press brakes. APHS Series have hydraulic system which is very precise, effective and proven itself.

Hydraulic system is used for a long time and benefits of this technology include such as;



User Friendly

Easy to install, use and maintain



Modular

Capable of meeting any production need, with a variety of possible configurations



Bending Complex Parts

Bending complex parts are more easy with longer stroke and daylight



Productive

High productivity by means of reduced cycle times and higher process reliability



Flexible

Suitable for a wide range of products

Headlines to enhance Your **Worklife**

Perfect solution for all bendings.

- **Precise**
- **Affordable**
- **Flexible**
- **Efficient**



APHS model CNC Press Brakes are fast, accurate and repeatable. It has best prices and quality at the market. With affordable prices you can get the best product and compensate the investment in the shortest time. APHS models have wide variety of machine lengths and tonnages. APHS Series Hydraulic Press Brakes are productive and cost efficient machines which prove itself as being one of the world brand.



EFFICIENCY

Efficient production with precise and fast bending.

Baykal

APH5 31120



AUTOMATION

Ready for robotic applications.



19100120	12
80190111	14
01294400	12



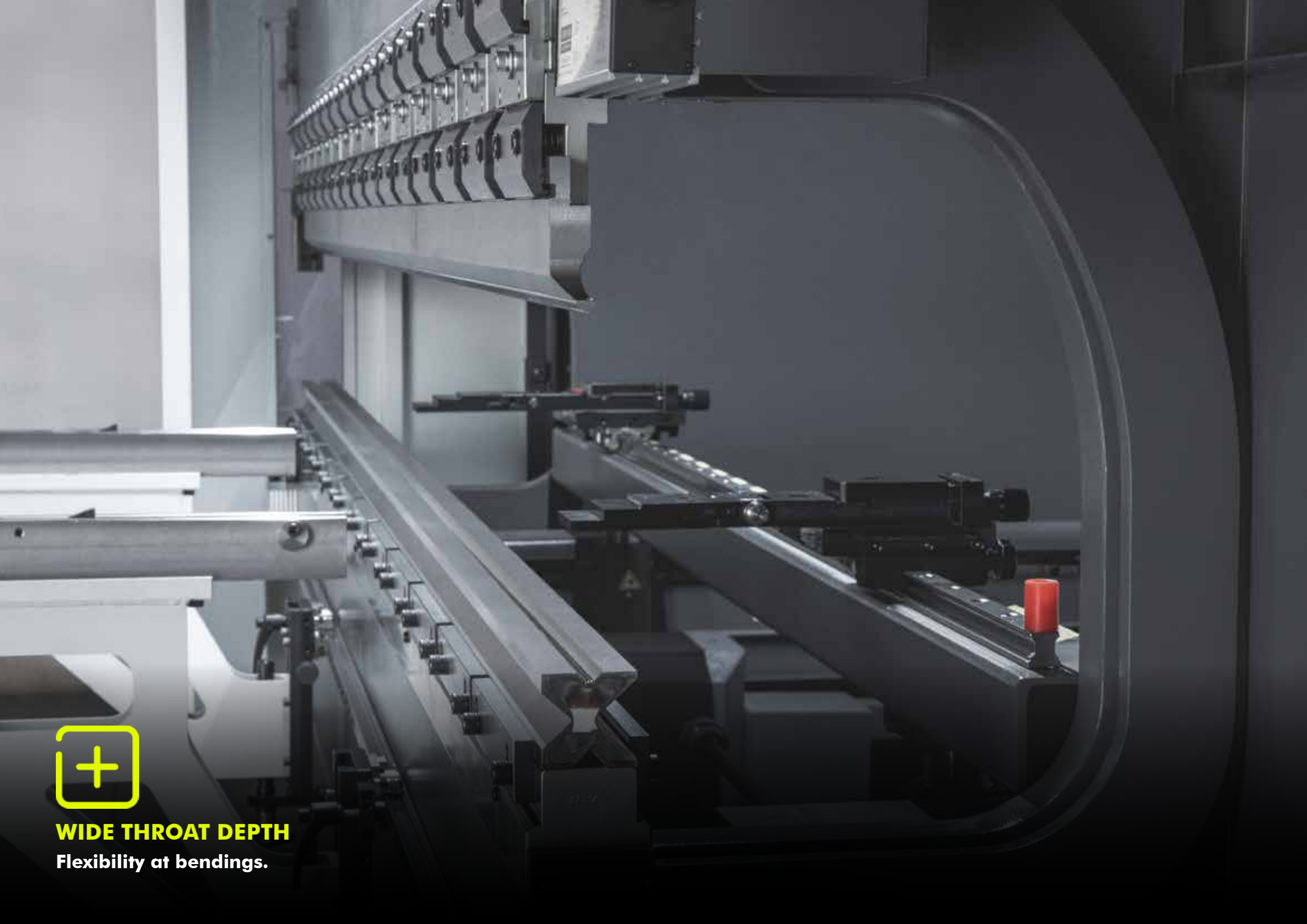
INNOVATIVE

Lead to lean manufacturing and ready for industry 4.0

Baykal

APHS 31120





WIDE THROAT DEPTH
Flexibility at bendings.



LONGER OPEN HEIGHT AND STROKE

Complex bending availability.



ERGONOMICS

Full control of operations with one finger.

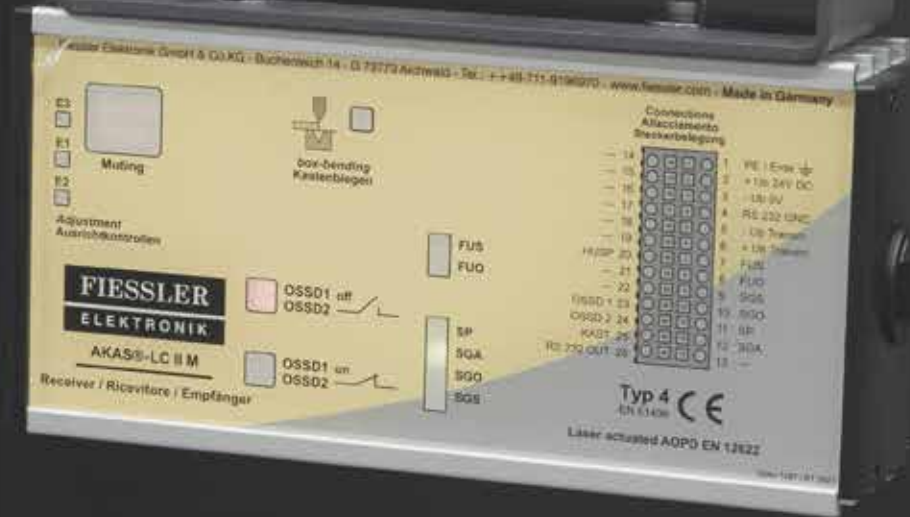


Delem



FRIENDLY CONTROLLER

User friendly control unit.



INTEGRATED SAFETY

Front and rear safeguarding systems allow safe operation.

Important Steps for Perfect Bending.



ACCURATE

Thanks to perfect hydraulic system, machine is faster accurate and efficient.



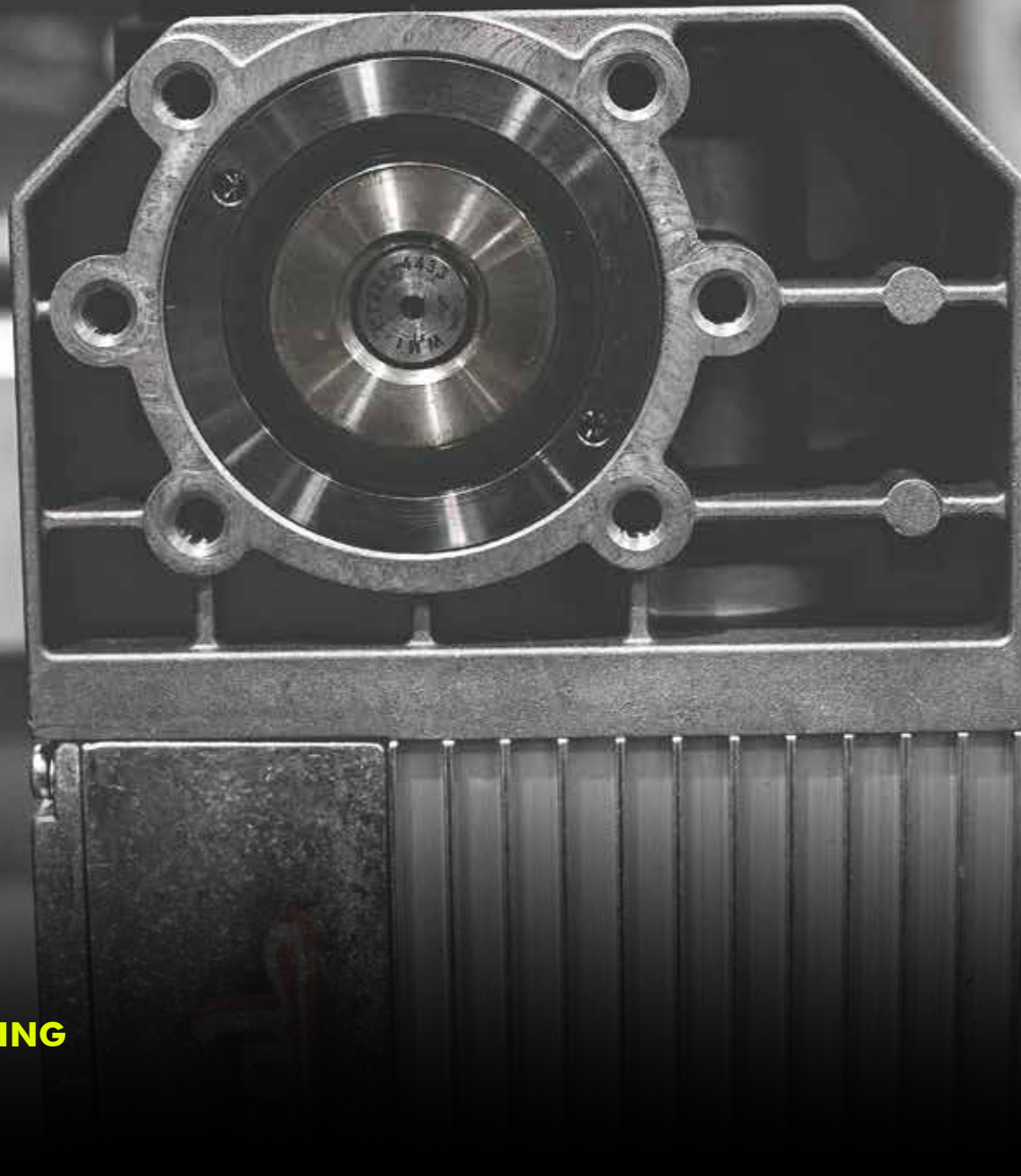
LINEAR GUIDED MOVEABLE FRONT SUPPORT ARMS

Wide range of support arms for light and heavy-duty sheet metal work.



EXTREMELY STABLE BACKGAUGE

Servo driven (Fast) and CNC controlled (Stable) multiple backgauge configurations from 2 to 6 axis.



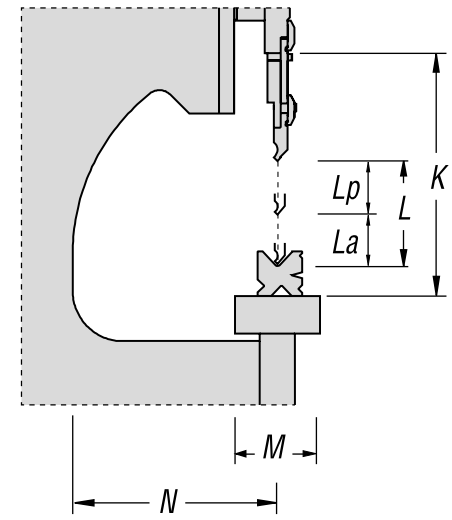
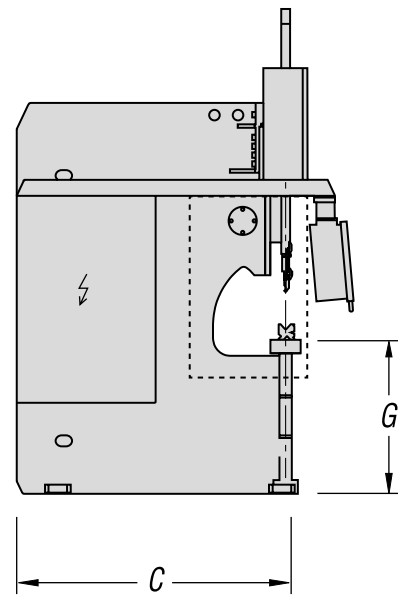
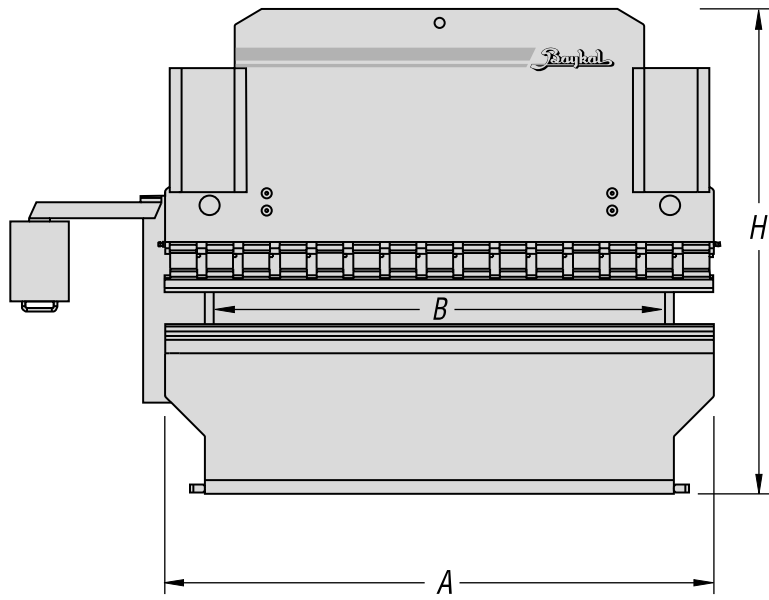
CNC MOTORIZED CROWNING

Full length precise bending.



FRONT SHEET FOLLOWER

Heavy and long pieces processed more precise by Baykal front sheet follower with sliding arm.



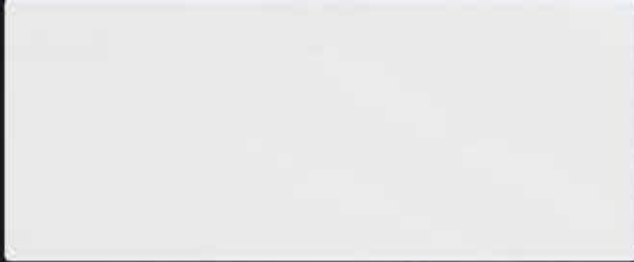
TECHNICAL DATA

		1254x40	2104x60	2606x90	3104x90	3106x120	3108x160	3110x200	3112x240	3116x300	3120x440	4106x160	4108x200	4110x240	4112x300	4116x440	6106x240	6108x300	6110x380	6112x440	6116x600
Capacity	kN	400	600	900	900	1200	1600	2000	2400	3000	4400	1600	2000	2400	3000	4400	2400	3000	3800	4400	6000
Motor Output	kW	4	5,5	7.5	7.5	11	15	19	22	22	30	15	18,5	22	22	30	22	22	30	30	37
Oil Tank Volume	Lt	80	140	140	140	140	210	210	210	280	450	210	210	210	280	450	300	300	450	450	500
Speeds (mm/s)	Approach	160	150	150	160	160	160	150	130	110	80	170	160	150	120	80	140	120	90	90	80
	Working	10	10	10	10	10	10	10	10	8	8	10	10	10	8	8	10	8	8	8	7
	Return	130	130	130	130	130	130	130	120	100	70	120	110	100	90	70	100	70	70	70	70
Approx. Weight	Ton	3.3	5.4	7.1	7.9	8.4	9.7	10	11	15	22	12	12.5	14	18.5	26	25	30	35	39	55
Bending Length	A mm	1250	2100	2600	3100	3100	3100	3100	3100	3100	3100	4100	4100	4100	4100	4100	6100	6100	6100	6100	6100
Inside Frames	B mm	1070	1600	2050	2550	2550	2550	2550	2550	2550	2550	3550	3550	3550	3550	3550	5100	5100	5100	5100	5100
Side Frame Width	C mm	1470	1580	1580	1590	1590	1600	1600	1610	1815	2060	1600	1600	1610	1820	2235	1960	2060	2210	2250	2400
Bed Height	G mm	800	880	880	880	880	880	880	880	905	1005	880	880	880	980	955	1100	1115	1100	1100	1050
Daylight Opening	K mm	455	475	540	530	540	540	530	530	660	575	530	530	530	635	590	500	560	570	570	620
Stroke	L mm	215	210	260	260	260	260	260	260	320	320	260	260	260	320	320	260	320	320	320	360
Table Width	M mm	60	60	60	60	60	60	90	90	380	450	60	90	90	280	380	90	200	240	280	380
Throat Gap	N mm	410	410	410	410	410	410	410	410	500	500	410	410	410	500	500	500	500	500	500	500

• Design and specifications are subject to change without notice







O.S.B. Lacivert Cd. 2.Sk. No.1/A 16140 Nilüfer BURSA/TURKEY
T: +90 224 294 77 00 F: +90 224 243 12 86
E-mail : baykal@baykal.com.tr
f @ / BaykalMachinery

